

# Prima Inset Bath with tile bead

Product Code: **PR1510W / PR1650W / PR1800W**



**MADE IN AUSTRALIA**

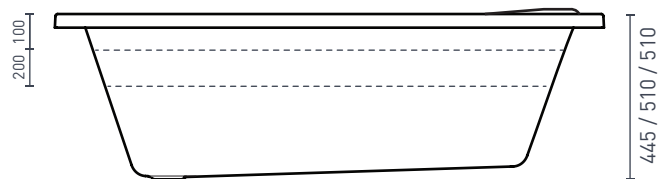
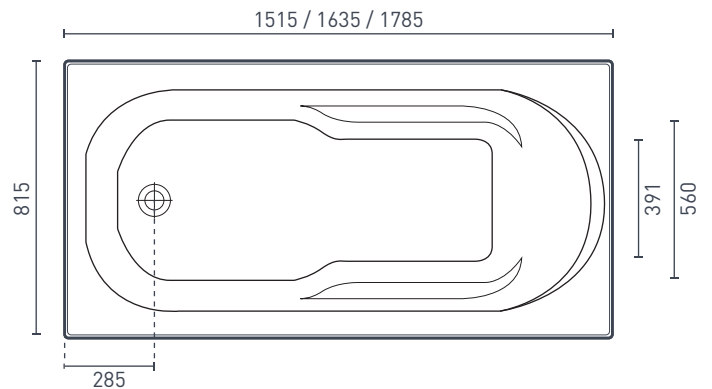
The Prima's increased width & depth makes it larger than many traditional shower baths, plus its molded head & neck supports offer extra comfort. The reinforced rim provides greater safety when entering & exiting the bath.

- AS/NZ Standard 2023/1995
- Steel rod reinforced rim
- Double reinforced bath base
- Moulded arm rests



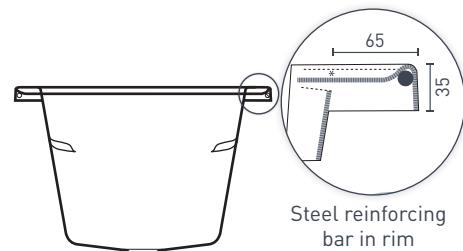
## PRODUCT SPECIFICATIONS

<b>Colour:</b>	High Gloss White
<b>Material:</b>	Premium Sanitary grade acrylic
<b>Length:</b>	1515mm / 1635mm / 1785mm
<b>Width:</b>	815mm
<b>Height:</b>	445mm / 510mm / 510mm
<b>Capacity:</b>	124L / 159L / 194L [200mm below the bath rim]
<b>Bath Type:</b>	Inset
<b>Waste Position:</b>	End
<b>Net Weight:</b>	19.3kg / 22.6kg / 25kg
<b>Warranty:</b>	15 years* (refer to decina.com.au)



## OPTIONAL ACCESSORIES

- 40mm Removable pop-up waste *Chrome* **WA001**, *White Gloss* **WA002**, *Black Matte* **WA003**
- Pop-up waste & overflow kit *Chrome* **OWA001**
- Pop-down waste & overflow kit *Chrome* **OWA002**
- Pop-down waste & overflow kit *Black* **OWA003**
- Sia Headrest *Black* **SY242-B**
- EZI Frame / Base Support Frame **Various**



**DECINA**  
DISCOVER INDULGENCE

**DECINA.COM.AU** 1300 DECINA

\*Warranty T&Cs apply, visit [decina.com.au](https://decina.com.au) Decina reserves the right to change specifications without notice. Due to manufacturing tolerances dimensions may vary +/- 5mm. We recommend installation does not start until after delivery. Please confirm all particulars prior to purchase, call 1300 DECINA or visit [decina.com.au](https://decina.com.au)